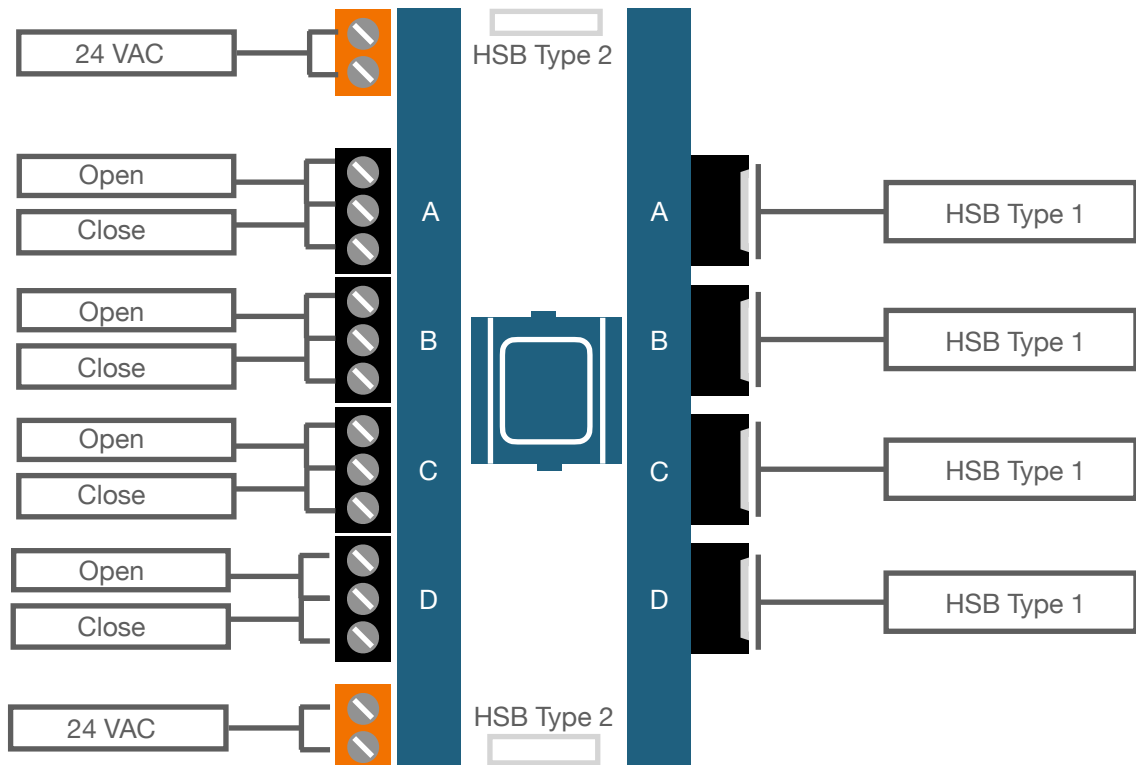




Enclosure	Flame Retardent ABS Plastic
Dimensions (H x W x D)	56 x 147 x 115 mm
Weight	400g
Supply Voltage	24VAC +/- 10%
Consumption	10VA Max
Connection	2.5mm Max

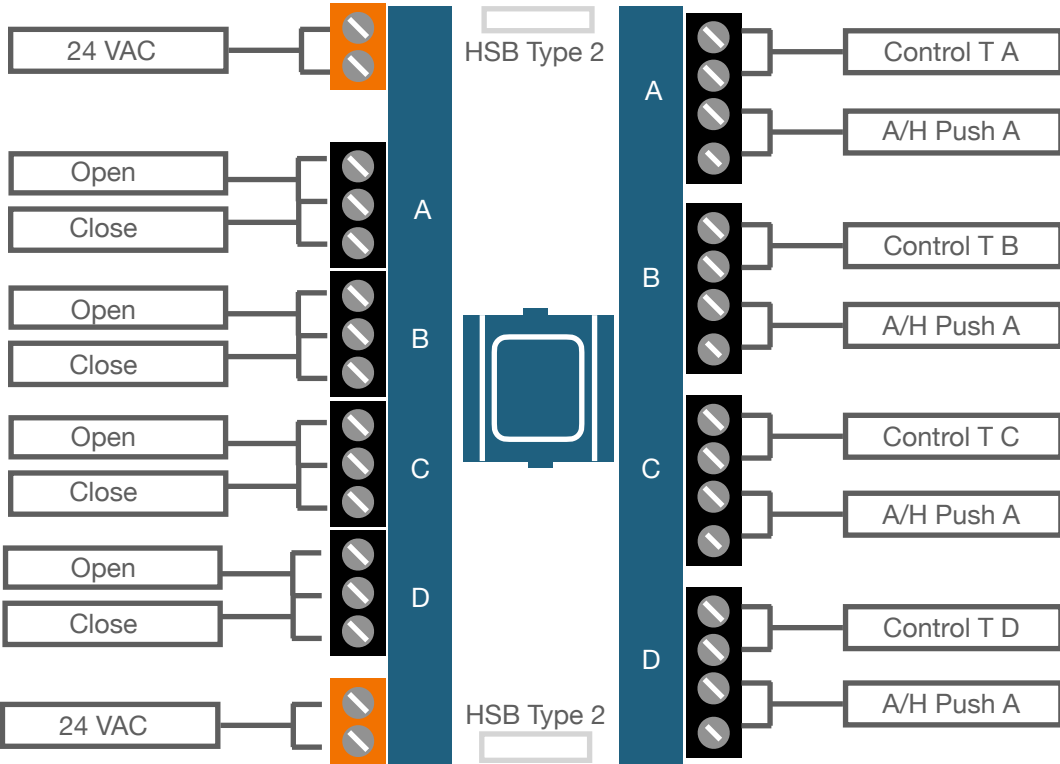
Features - CH-VRE-xxx-RT configuration

Inputs	Temperature Inputs	None
	Type	NTC 47kΩ.@25°C
Outputs	Digital	8 x 24VAC time proportional pulse drive
Comms Smart Sensors	HSB-1	4 x smart sensors, touchpads or A/H
Comms High Powered	None	None
Comms Expansion I/O	HSB-2	2 - for data-chain I/O expansion



Features - CH-VRE-xxx-RT configuration

Inputs	Temperature Inputs	8 RT / DI for TT models only
	Type	NTC 47kΩ.@25°C
Outputs	Digital	8 x 24VAC
Comms Smart Sensors	HSB-1	None
Comms High Powered	None	None
Comms Expansion I/O	HSB-2	2 - for data-chain I/O expansion



Connection Limitations

	Type	Limitation	Cable Specification
Inputs	Temperature Inputs	100 m	Shielded Data
	HCB - 1	50 m	Flat Data 6P6C RXTX, 0.404mm
Outputs	OAF	300 mA Max	Check local regulations
	Lamp	300 mA Max	Check local regulations
HSB Type 2	None	200mm Max	DB9 extension
HAT Relays		3 A Max	Check local regulations