



## Series Overview

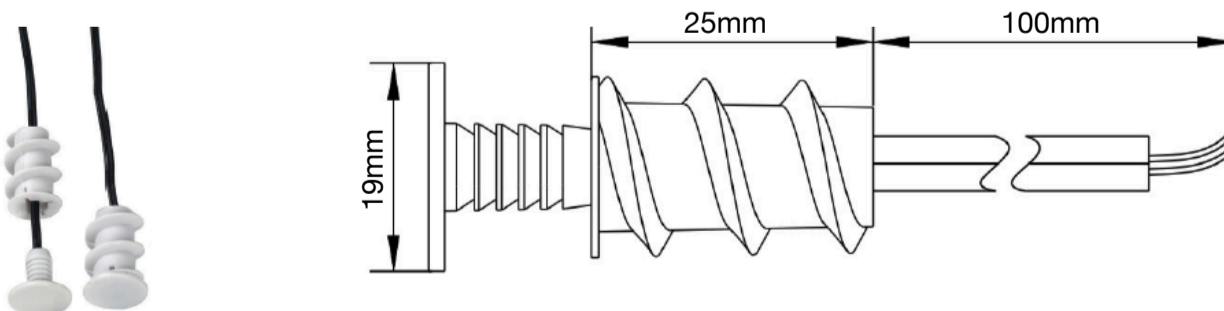


HUB Automation's Surface range brings the touchscreen so close to the wall it appears as if it is printed on, the DOT sensors are approximately the diameter of a two dollar coin. Both the Surface 7 and the DOT sensor are less than 3mm from the surface of the wall.

## DOT Installation

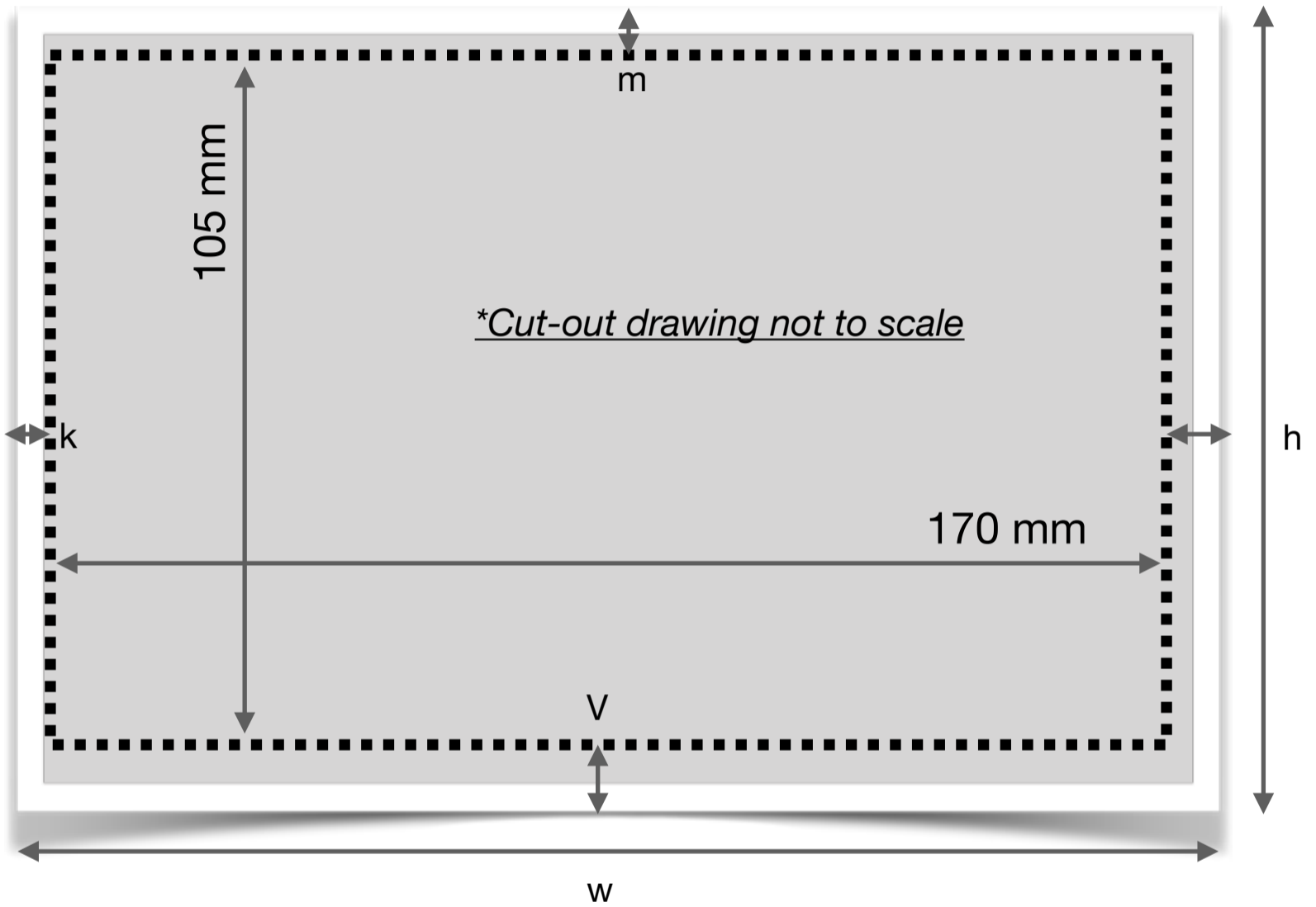
The DOT Sensor housing is similar to many Gyprock anchoring systems. The DOT must be fitted below a light switch to allow access for terminating sensor wires.

Flush Mount Sensor



# Surface 7 Installation

Surface 7 requires a precision cut to achieve the 3mm profile  
Recommended cutting method: Oscillating Multi Tool



ID	Dimension
h	120 mm
i	7 mm
k	4 mm
m	5 mm
v	10 mm
w	180 mm

Note:

- A precision cut is required
- Make sure the Surface 7 is installed the correct way up
- Be mindful of stud position and spring clip clearance
- Sensor input in rear, remove cover around data socket

## Navigation



## Support

phone: 1300 306 125

email: [sales@hubautomation.com](mailto:sales@hubautomation.com)

web: [www.hubautomation.com](http://www.hubautomation.com)

cloud: [www.hubautomation.live](http://www.hubautomation.live)