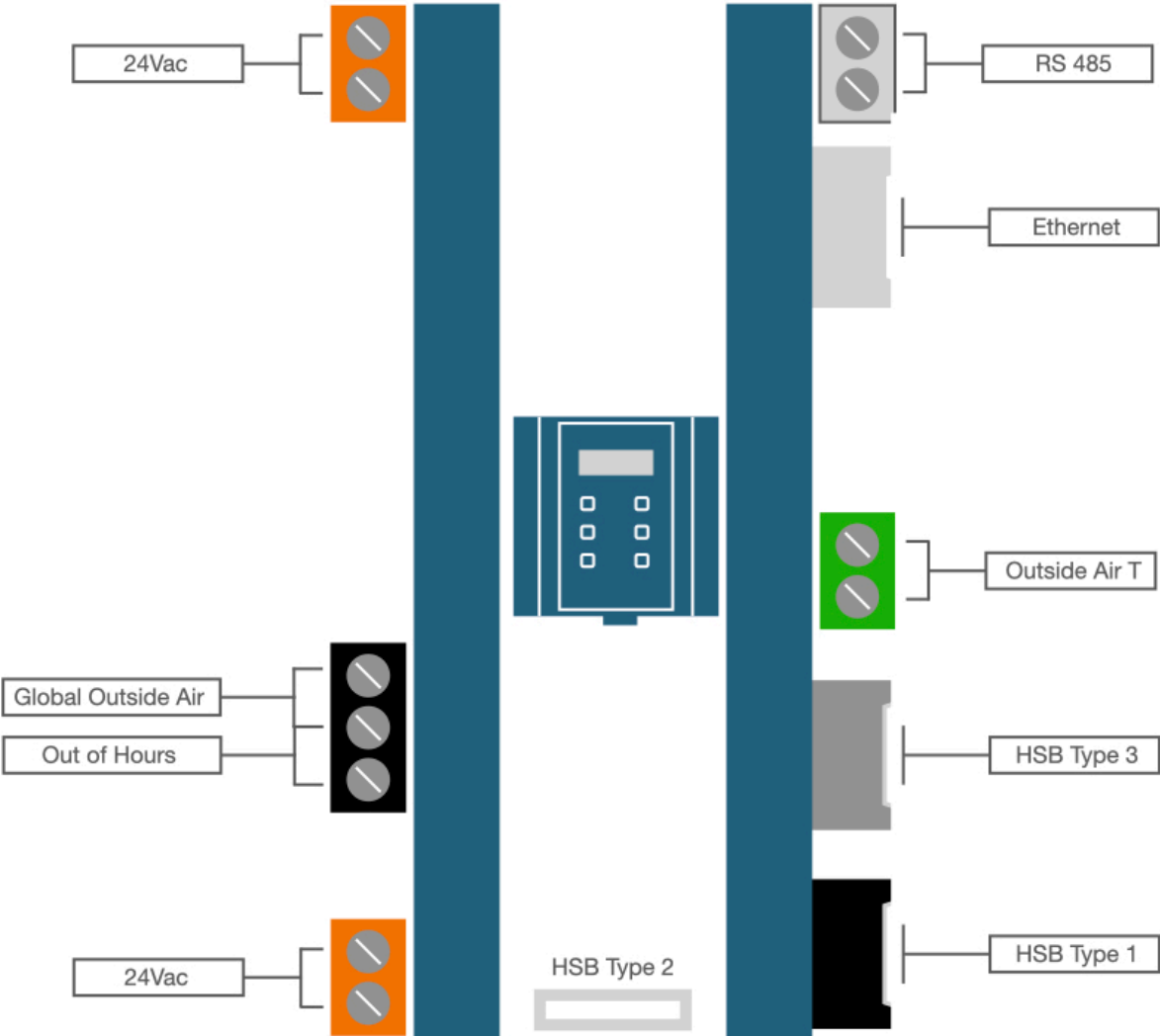


Enclosure	Flame Retardant ABS Plastic
Dimensions (H x W x D)	56 x 147 x 115 mm
Weight	400g
Supply Voltage	24VAC +/- 10%
Consumption	10VA Max
Connection	2.5mm Max
RTC Backup	48 hrs Max

Features

Inputs	Temperature Inputs	Outdoor Air
	Type	NTC 47kΩ.@25°C
Outputs	Digital	Outside Air
Comms Smart Sensors	Capacitive Touch BUS	HSB-1
Comms High Powered	Surface 7 BUS	HSB-3
Comms Expansion I/O	DB9	HSB-2
Comms Field Level	Hardware	RS485
	Topology	Daisy Chain
	Protocol	Modbus RTU Master
Comms Network Level	Ethernet	100 Base Ethernet
	Protocol	Modbus TCP, JSON RPC, ASCII
Network Device Discovery	Protocol	UDP
Service SSID	WiFi	BCM43438 wireless LAN
Web Server	Yes	
Cloud Cover	Yes	

Connections



Functional Scope

Group	Description	Group	Parameters
TZLP	FCU Control Loop	Control Loops	TZLP1 ~ TZLP12
UP	FCU Names, FCU Kw	EE Block	
TZSP	FCU Setpoint	Array 1	TZSP3 ~ TZSP14
CUkW	Outdoor unit Capacity	Array 1	CUkW15
IUKW	FCU Capacity	Array 1	IUKW16 ~ IUKW27
IUIO	FCU On/Off	Array 1	IUIO29 ~ IUIO30
IUSP	FCU Fan Speed	Array 1	IUSP31 ~ IUSP42
CUSM	Outdoor Unit System Mode	Array 1	CUSM44
TZLS	FCU Energy Management Active	Array 1	TZLS45 ~ TZLS46
TZRA	FCU Return Air Temperature	Array 1	TZRA48 ~ TZRA59
TZES	FCU Energy Management Setpoint	Array 1	TZES60 ~ TZES72
TZRT	FCU Allow Network Control Temperature Write	Array 1	TZRT74 ~ TZRT75
TZCT	FCU Control Temperature	Array 1	TZCT91 ~ TZCT102
TZVS	FCU Present / Active / State	Display	TZVS78 ~ TZVS89
OAET	Outside Air Temperature	Display	OAET90
AL		Alarms	AL120 ~ AL126
CUPRO	System Weekly Time Schedules	Time Schedule	CUPRO0~CUPRO7
TZPRO	FCU Weekly Time Schedules	Time Schedule	TZPRO8 ~ TZPRO103
AHPRO	After Hours Out-Of-Hours schedule	Time Schedule	AHPRO200 ~ AHPRO213
RTC	Real Time Clock with 48hr power back up	Display	
Co	Modbus RTU, BACnet, Ethernet, WiFi	Plugins	CO 00~ CO 15
LG	Live Graphing	Plugins	All FCU Conditions